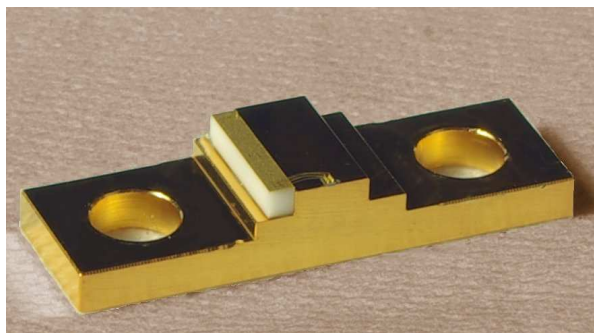


1650nm DFB Laser Diode



Application

- Methane detection

Features

- Distributed Feedback Laser (DFB) specified for a wavelength emission of 1650nm
- Continuous wave (CW) output power
- Mounted on a passive heatsink
- Operating temperature range: -15°C to 40°C
- 2-20 mW linear power range

Specifications at 20°C

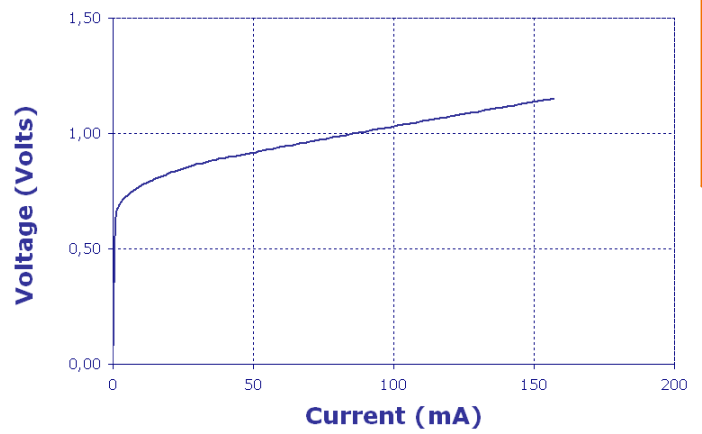
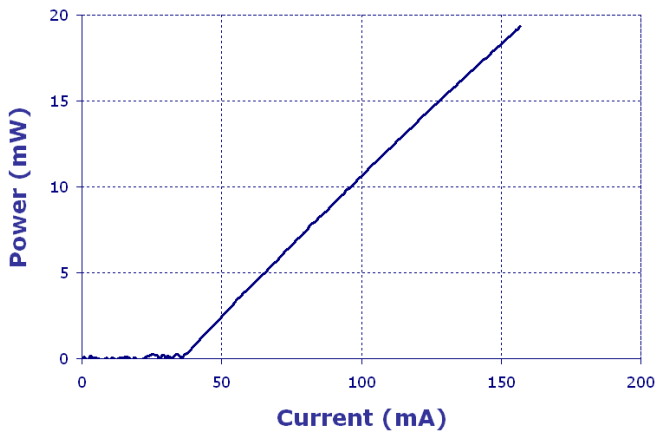
Parameters	Min	Typ.	Max	Unit
Wavelength (l)		1650		nm
Optical power (P) at 100mA	5	10		mW
Threshold current (I _{th})		50		mA
Side Mode Suppression Ratio (SMSR)		30		dB
Slope efficiency (h)	0.1	0.2		W/A
Forward voltage		0.8		V
Series resistance		2.5		Ω
Parallel Far field at 1/2		20		°
Perpendicular Far field at 1/2		40		°
Current accordability		0.01		nm / mA
Température accordability		0.1		nm / °C

Absolute maximum ratings

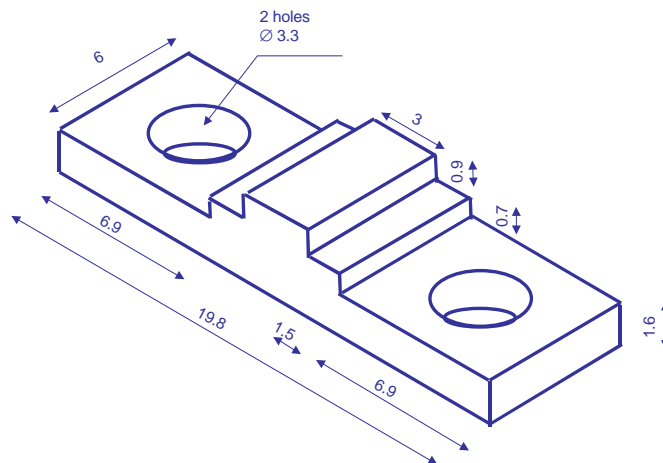
Parameters	Min	Typ.	Max	Unit
Operationnal current	60	100	200	mA
Storage temperature	-20	25	60	°C
Operational temperature	-15	20	40	°C

Figures are not contractual. III-V Lab reserves the right to make changes to the products or information contained herein without notice.

Typical performance



Outline drawing



Figures are not contractual. III-V Lab reserves the right to make changes to the products or information contained herein without notice.